



# Electronic Hook Switch Solutions



# IPN Headsets - EHS Solutions

Table of contents (Click on the manufacturer below to skip to the correct page):

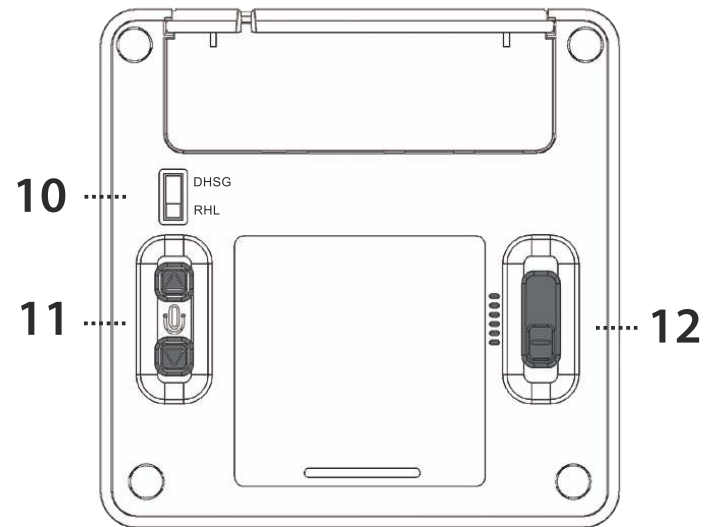
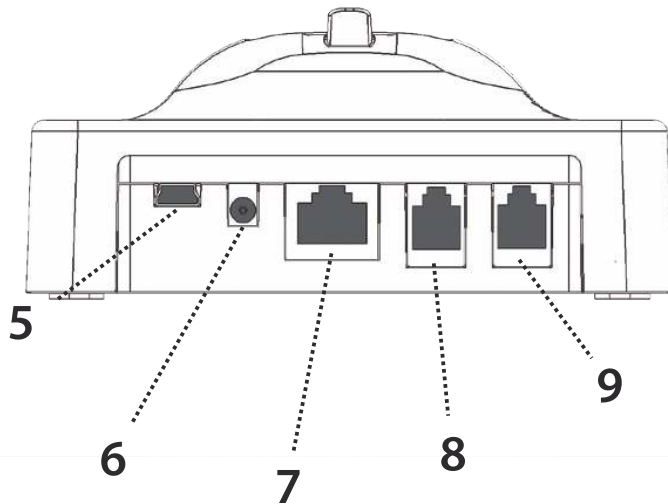
IPN Universal base layout	3
Aastra EHS solutions	4,5
Alcatel/Alcatel EHS Lucent EHS solution	6
Agfeo EHS solution	7
Auerswald EHS solution	8
Avaya EHS solutions	9,10,11
Cisco EHS solutions	12,13
Elmeg EHS solution	14
Fanvil EHS solution	15
Innovaphone EHS solutions	16,17
Mitel EHS solution	18
Panasonic EHS solution	19
Polycom EHS solution	20
Samsung EHS solution	21
Shoretel EHS solution	22
Siemens/Unify EHS solution	23
Snom EHS solutions	24,25
Toshiba EHS solution	26
Yealink EHS solution	27
Yealink USB EHS Solution	28





# IPN Universal Base Layout

- A. Universal base station
1. Battery Indicator
  2. PC button
  3. Telephone (TEL) button
  4. Online indicator
  5. USB connector (PC port)
  6. Power socket
  7. EHS port
  8. Telephone connector ('Tel' port)
  9. Handset connector
  10. EHS Selection switch
  11. Microphone volume up/down
  12. Wiring switch



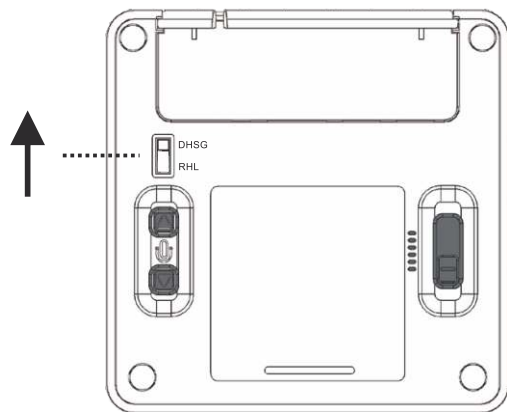


# IPN Headsets - Aastra IPN 621

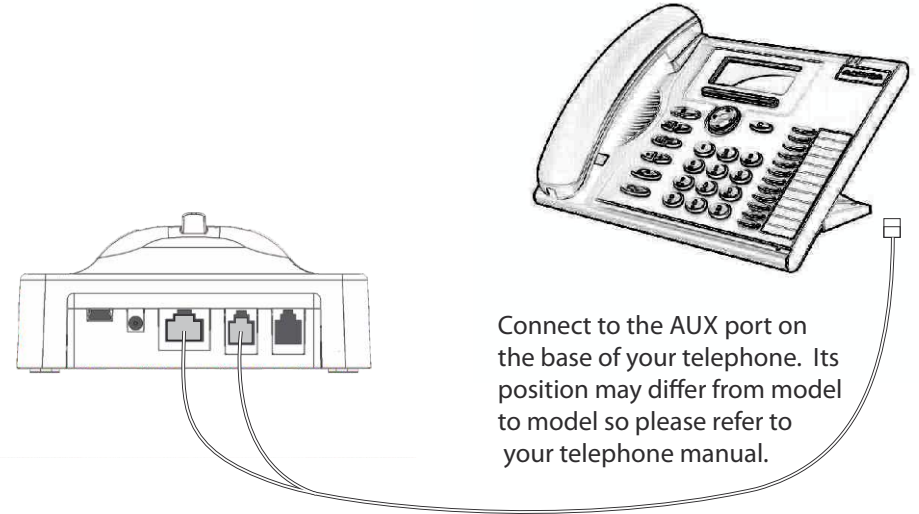


- |                             |                             |
|-----------------------------|-----------------------------|
| Aastra 5370 (Standard & IP) | Aastra 6775 (Standard & IP) |
| Aastra 5380 (Standard & IP) | Aastra 7434 IP              |
| Aastra 6771                 | Aastra 7444 IP              |
| Aastra 6773 (Standard & IP) | Aastra 6739i                |

Step 1. Switch EHS Selection Switch to DHSG Setting



Step 2. Connect IPN- 621 DHSG Cable to the Headset base and telephone



Connect to the AUX port on the base of your telephone. Its position may differ from model to model so please refer to your telephone manual.

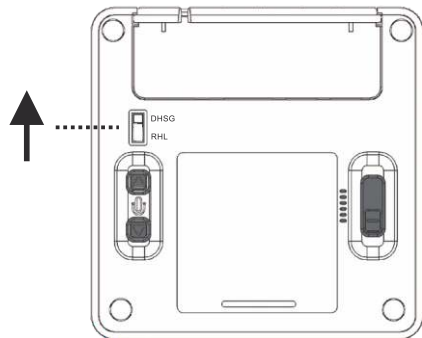


# IPN Headsets - Aastra IPN 620



- Aastra 6735i
- Aastra 6737i
- Aastra 6739i
- Aastra 6753i
- Aastra 6755i
- Aastra 6757i

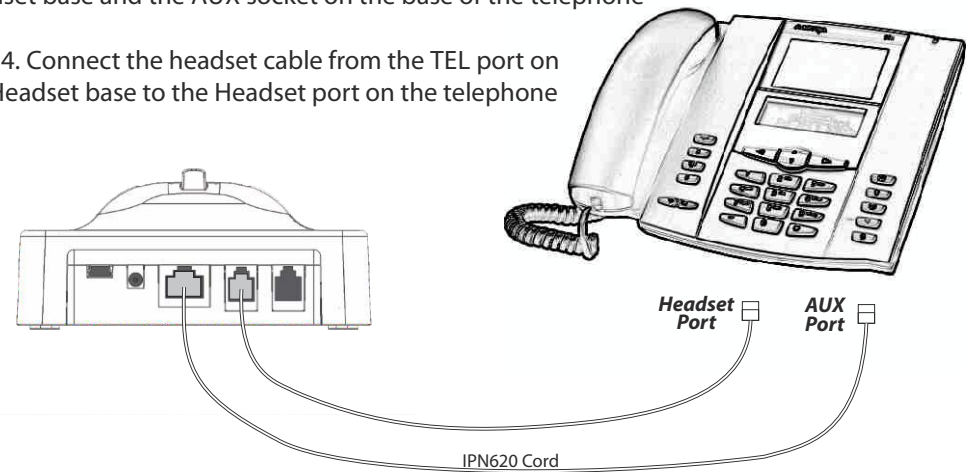
Step 1. Switch EHS Selection Switch to DHSG Setting



Step 2. Set your Aastra phone settings to headset/speaker  
Options > Preferences > Set Audio > Audio Mode > Headset/Speaker

Step 3. Connect your IPN620 cord to the EHS socket on the Headset base and the AUX socket on the base of the telephone

Step 4. Connect the headset cable from the TEL port on the Headset base to the Headset port on the telephone





# IPN Headsets - Alcatel IPN 623



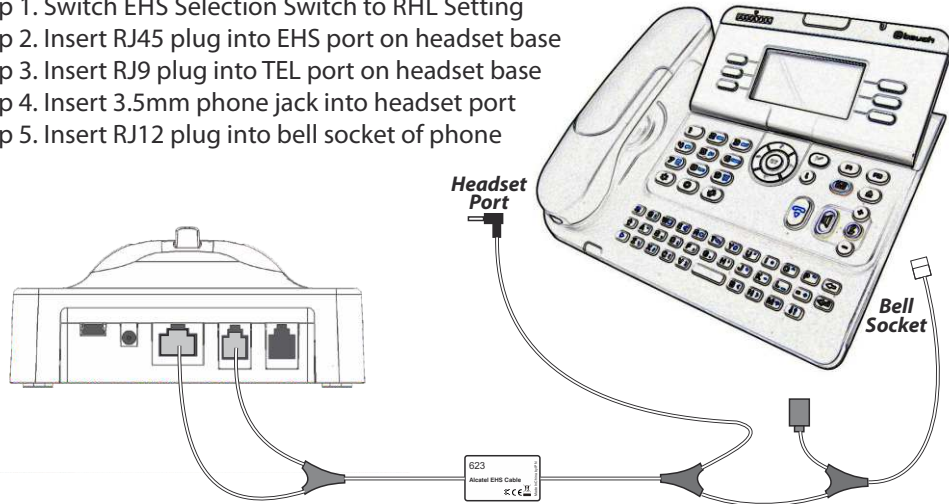
Alcatel  
 Alcatel IP Touch 4028  
 Alcatel IP Touch 4038  
 Alcatel IP Touch 4068

Alcatel IP Touch 4029  
 Alcatel IP Touch 4039

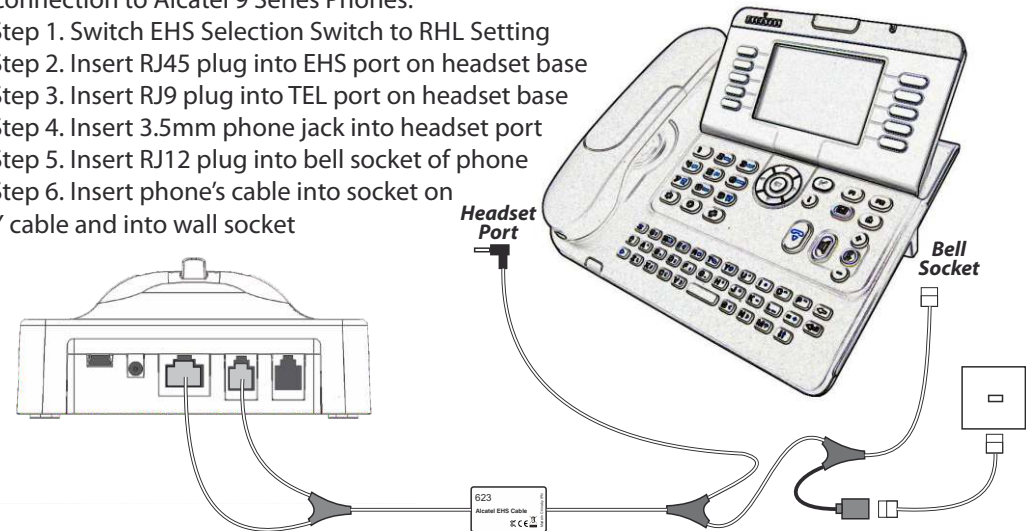
Alcatel-Lucent  
 Alcatel Lucent 8012  
 Alcatel Lucent 8028  
 Alcatel Lucent 8038  
 Alcatel Lucent 8068

Alcatel Lucent 8029 TDM  
 Alcatel Lucent 8039 TDM

- Connection to Alcatel 8 Series Phones:
- Step 1. Switch EHS Selection Switch to RHL Setting
  - Step 2. Insert RJ45 plug into EHS port on headset base
  - Step 3. Insert RJ9 plug into TEL port on headset base
  - Step 4. Insert 3.5mm phone jack into headset port
  - Step 5. Insert RJ12 plug into bell socket of phone



- Connection to Alcatel 9 Series Phones:
- Step 1. Switch EHS Selection Switch to RHL Setting
  - Step 2. Insert RJ45 plug into EHS port on headset base
  - Step 3. Insert RJ9 plug into TEL port on headset base
  - Step 4. Insert 3.5mm phone jack into headset port
  - Step 5. Insert RJ12 plug into bell socket of phone
  - Step 6. Insert phone's cable into socket on Y cable and into wall socket



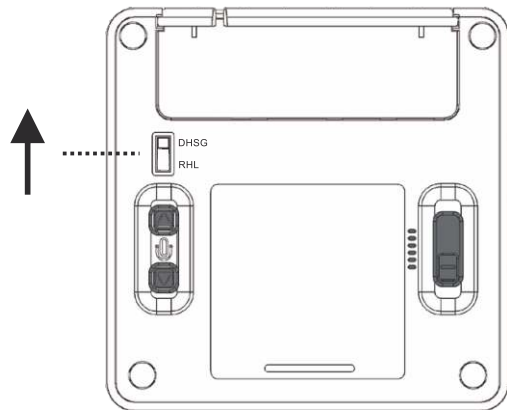


# IPN Headsets - Agfeo IPN 621

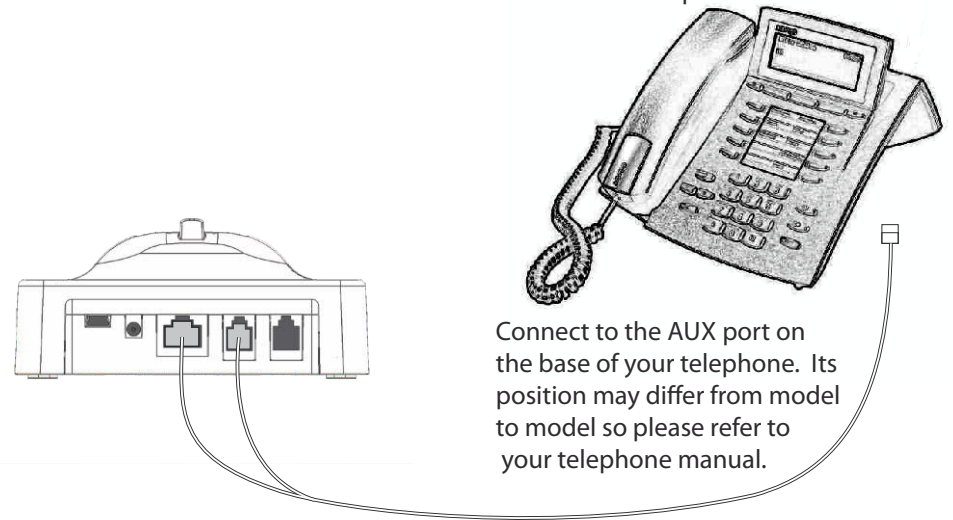
## AGFEO

- Agfeo ST30
- Agfeo ST31
- Agfeo ST40
- Agfeo ST401P

Step 1. Switch EHS Selection Switch to DHSG Setting



Step 2. Connect IPN- 621 DHSG Cable to the Headset base and telephone



Connect to the AUX port on the base of your telephone. Its position may differ from model to model so please refer to your telephone manual.

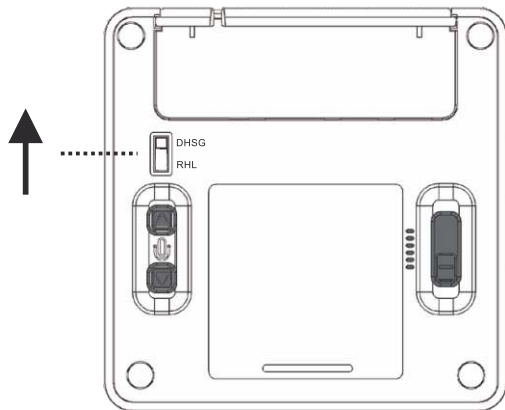


# IPN Headsets - Auerswald IPN 621

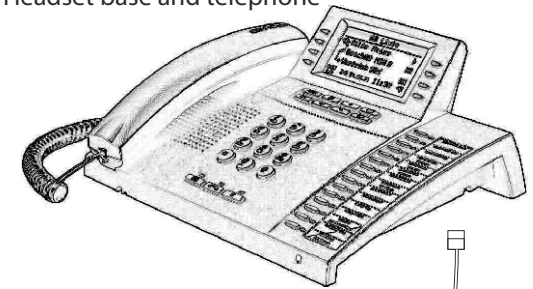
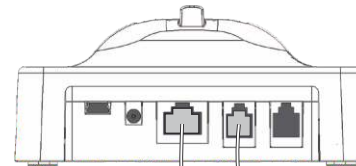


- COMfortel 2500 (AB)
- COMfortel 2600
- COMfortel 2600IP
- COMfortel 3200
- COMfortel IP DECT
- COMfortel 3500C

Step 1. Switch EHS Selection Switch to DHSG Setting



Step 2. Connect IPN- 621 DHSG Cable to the Headset base and telephone



Connect to the AUX port on the base of your telephone. Its position may differ from model to model so please refer to your telephone manual.



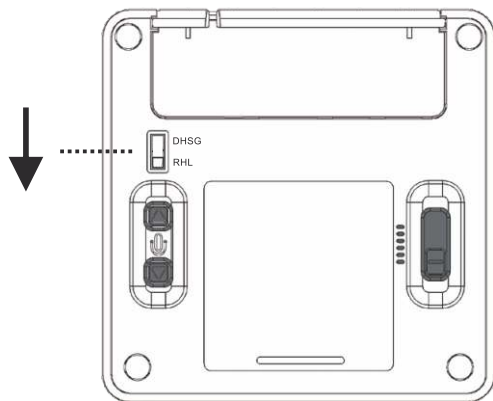


# IPN Headsets - Avaya IPN 627

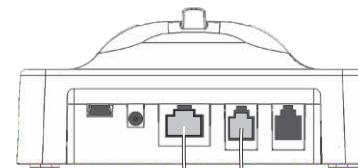


- |            |               |             |             |
|------------|---------------|-------------|-------------|
| Avaya 1408 | Avaya 6416D+M | Avaya 9504  | Avaya 9641G |
| Avaya 1416 | Avaya 6424D+M | Avaya 9508  |             |
| Avaya 1608 | Avaya 9404    | Avaya 9611G |             |
| Avaya 1616 | Avaya 9408    | Avaya 9621G |             |

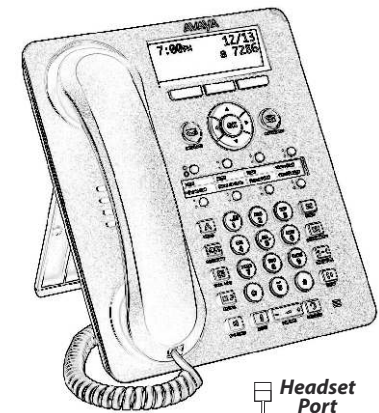
Step 1. Switch EHS Selection Switch to RHL Setting



Step 2. Connect your Avaya IPN-627 cable to the EHS and TEL sockets on the Headset base



Step 3. Connect the other end of the Avaya IPN-627 cable into the Headset port on the telephone



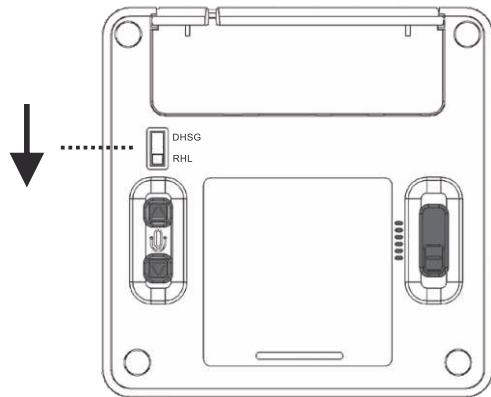


# IPN Headsets - Avaya IPN 628



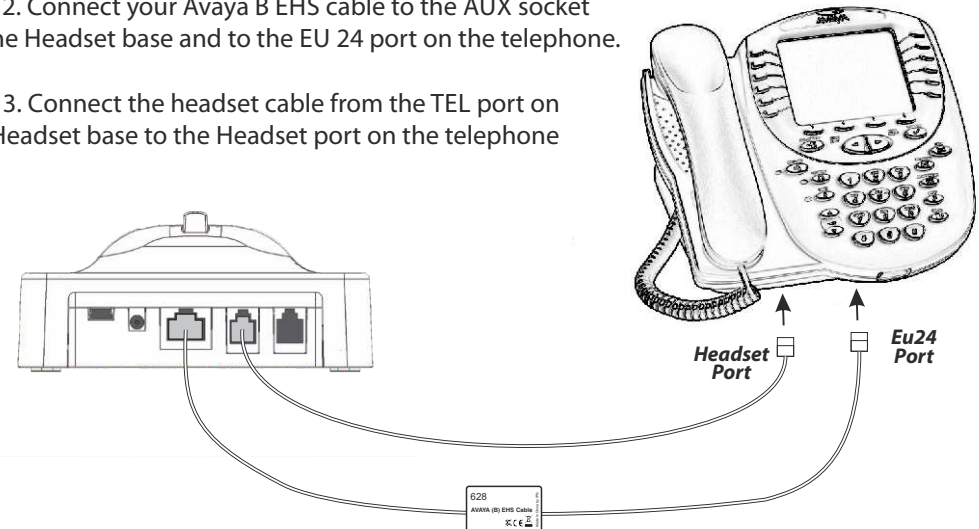
- |                   |                   |            |
|-------------------|-------------------|------------|
| Avaya 2420        | Avaya 4622/4622SW | Avaya 5610 |
| Avaya 4610/4610SW | Avaya 4625/4625SW | Avaya 5620 |
| Avaya 4620/4620SW | Avaya 4630/4630SW | Avaya 5621 |
| Avaya 4621/4621SW | Avaya 5420        | Avaya 5625 |

Step 1. Switch EHS Selection Switch to RHL Setting



Step 2. Connect your Avaya B EHS cable to the AUX socket on the Headset base and to the EU 24 port on the telephone.

Step 3. Connect the headset cable from the TEL port on the Headset base to the Headset port on the telephone





# IPN Headsets - Avaya IPN 633

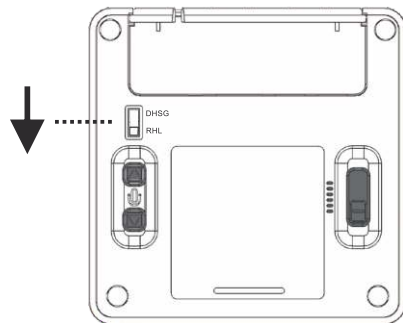


Avaya 2410  
Avaya 5410  
Avaya 9608/9610  
Avaya 9620/20C/20L

Avaya 9630/30G  
Avaya 9640/40C/40G  
Avaya 9650/50C  
Avaya 9670

Avaya 9641G

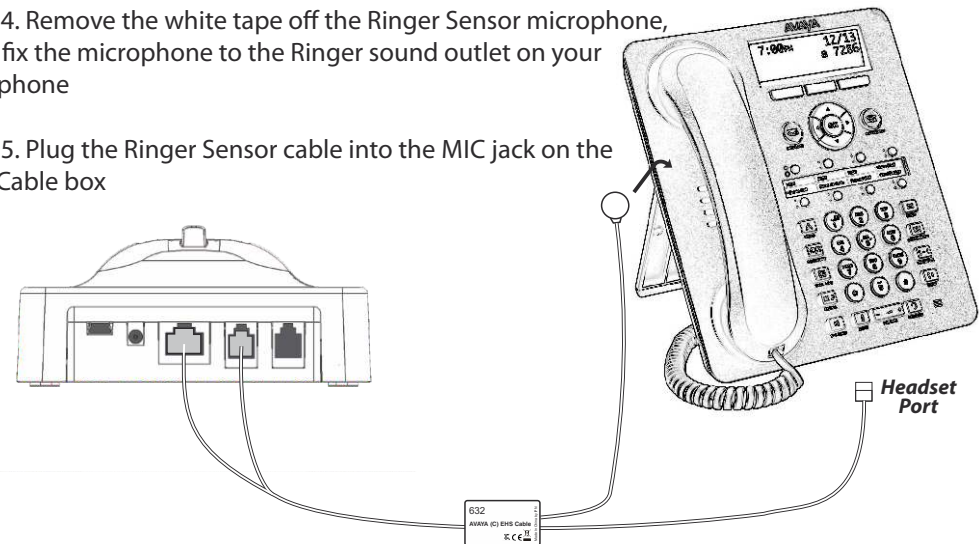
Step 1. Switch EHS Selection Switch to RHL Setting



Step 2. Connect your Avaya IPN-633 cable to the EHS and TEL sockets on the Headset base

Step 4. Remove the white tape off the Ringer Sensor microphone, then fix the microphone to the Ringer sound outlet on your deskphone

Step 5. Plug the Ringer Sensor cable into the MIC jack on the EHS Cable box



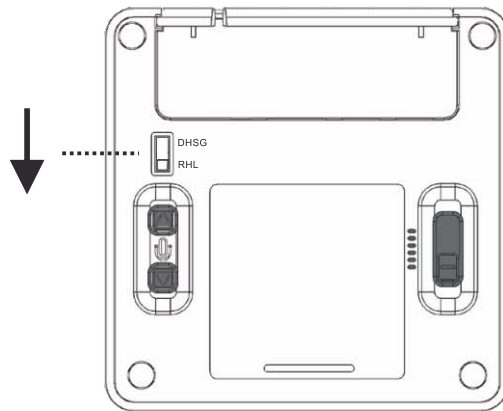


# IPN Headsets - Cisco IPN 625



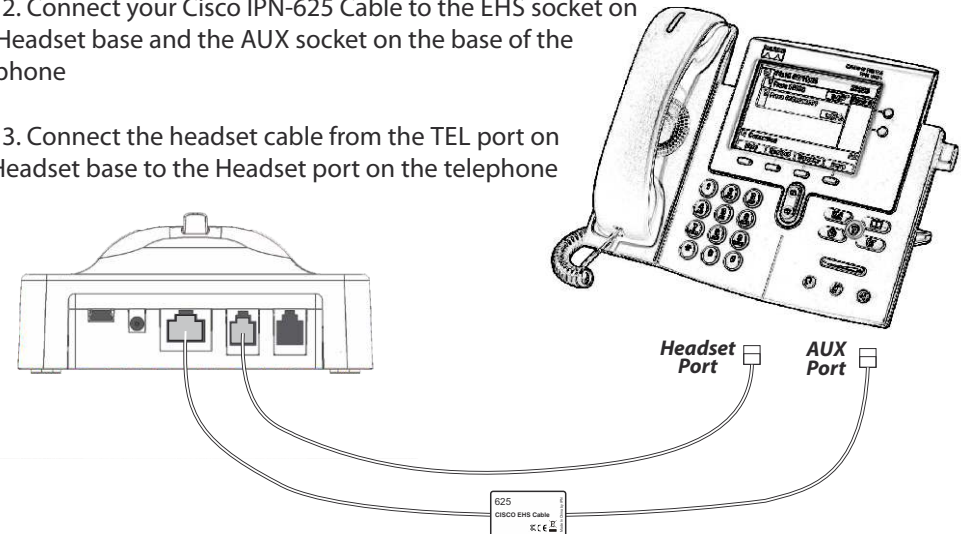
- |             |             |            |
|-------------|-------------|------------|
| Cisco 6945  | Cisco 7965G | Cisco 7861 |
| Cisco 7942G | Cisco 7975G | Cisco 8841 |
| Cisco 7945G | Cisco 7821  | Cisco 8851 |
| Cisco 7962G | Cisco 7841  | Cisco 8861 |

Step 1. Switch EHS Selection Switch to RHL Setting



Step 2. Connect your Cisco IPN-625 Cable to the EHS socket on the Headset base and the AUX socket on the base of the telephone

Step 3. Connect the headset cable from the TEL port on the Headset base to the Headset port on the telephone





# IPN Headsets - Cisco IPN 626

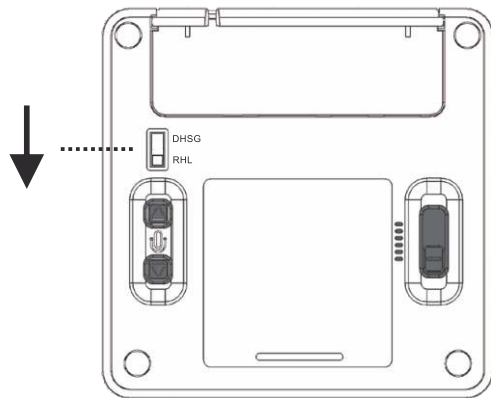


Cisco IP 8961  
 Cisco IP 9951  
 Cisco IP 9971  
 Cisco IP 8851

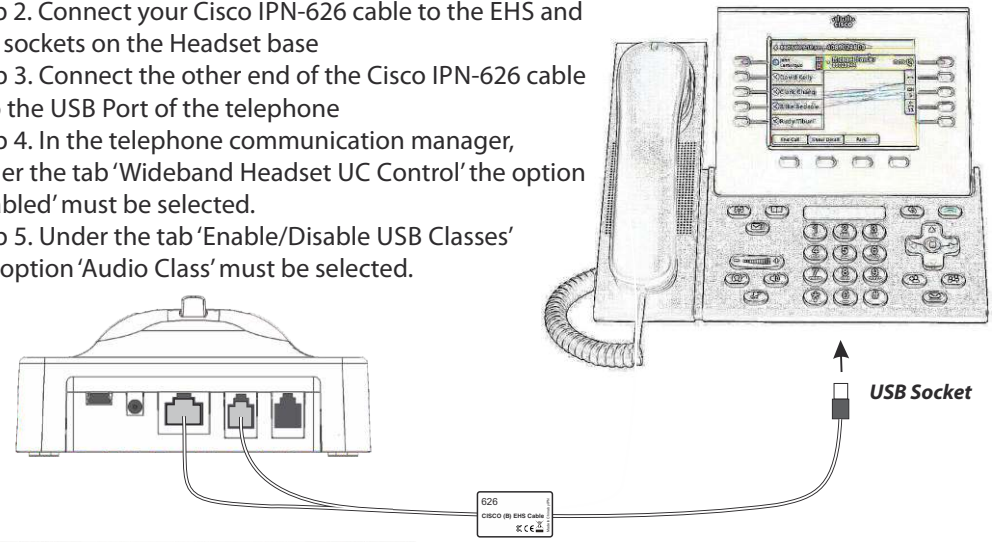
Cisco IP 8861  
 Cisco IP 8865  
 Cisco DX 650  
 Cisco DX 70

Cisco DX 80

Step 1. Switch EHS Selection Switch to RHL Setting



Step 2. Connect your Cisco IPN-626 cable to the EHS and TEL sockets on the Headset base  
 Step 3. Connect the other end of the Cisco IPN-626 cable into the USB Port of the telephone  
 Step 4. In the telephone communication manager, under the tab 'Wideband Headset UC Control' the option 'enabled' must be selected.  
 Step 5. Under the tab 'Enable/Disable USB Classes' the option 'Audio Class' must be selected.



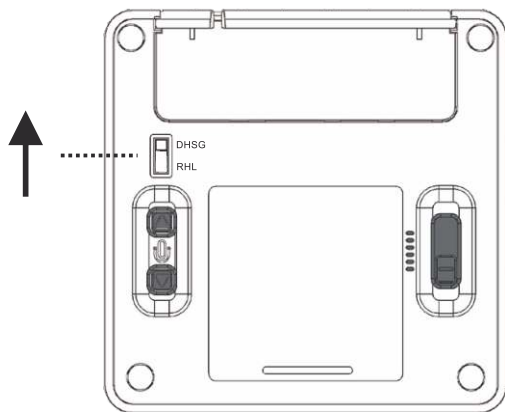


# IPN Headsets - Elmeg IPN 621

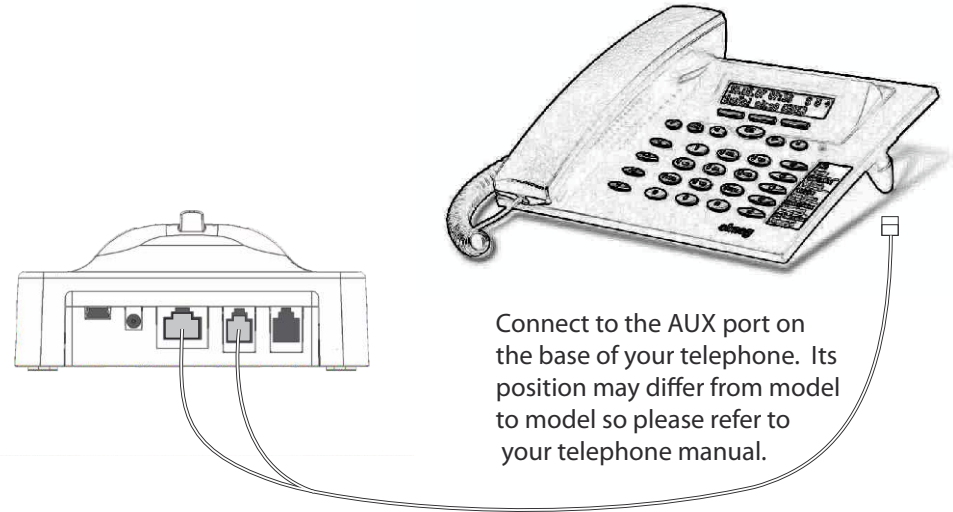


Elmeg CS290  
Elmeg CS410

Step 1. Switch EHS Selection Switch to DHSG Setting



Step 2. Connect IPN- 621 DHSG Cable to the Headset base and telephone



Connect to the AUX port on the base of your telephone. Its position may differ from model to model so please refer to your telephone manual.



# IPN Headsets - Fanvil EHS20



Fanvil X1S  
Fanvil X1SP  
Fanvil X2CP  
Fanvil X2P

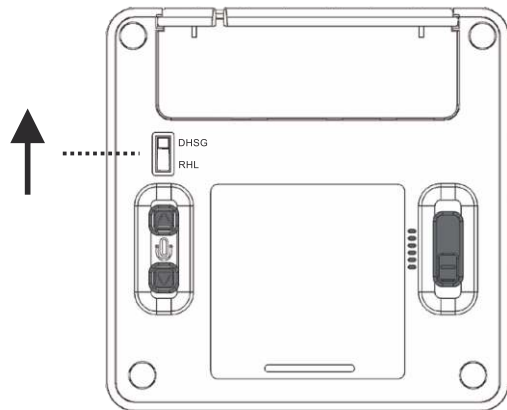
Fanvil X3S  
Fanvil X3SP  
Fanvil X3SG  
Fanvil X3U

Fanvil X4  
Fanvil X4G  
Fanvil X4U  
Fanvil X5U

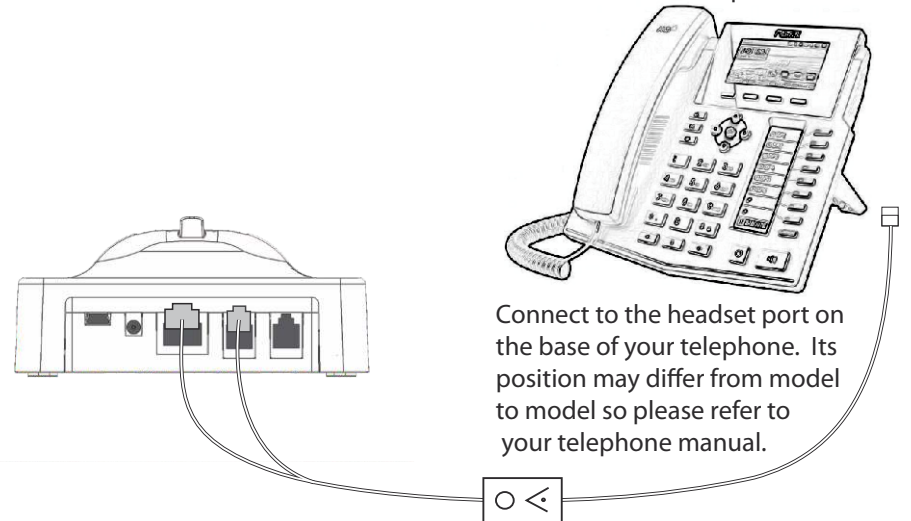
Fanvil X5U-R  
Fanvil X6U  
Fanvil X7  
Fanvil X7C

Fanvil X210  
Fanvil X210i  
Fanvil X7A  
Fanvil X7A+CM60

Step 1. Switch EHS Selection Switch to DHSG Setting



Step 2. Connect Fanvil EHS20 DHSG Cable to the Headset base and telephone



Connect to the headset port on the base of your telephone. Its position may differ from model to model so please refer to your telephone manual.

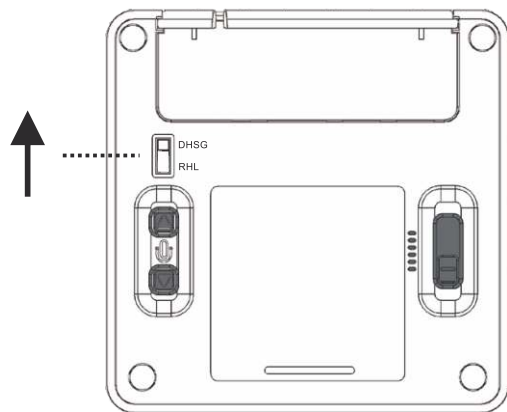


# IPN Headsets - Innovaphone IPN 621

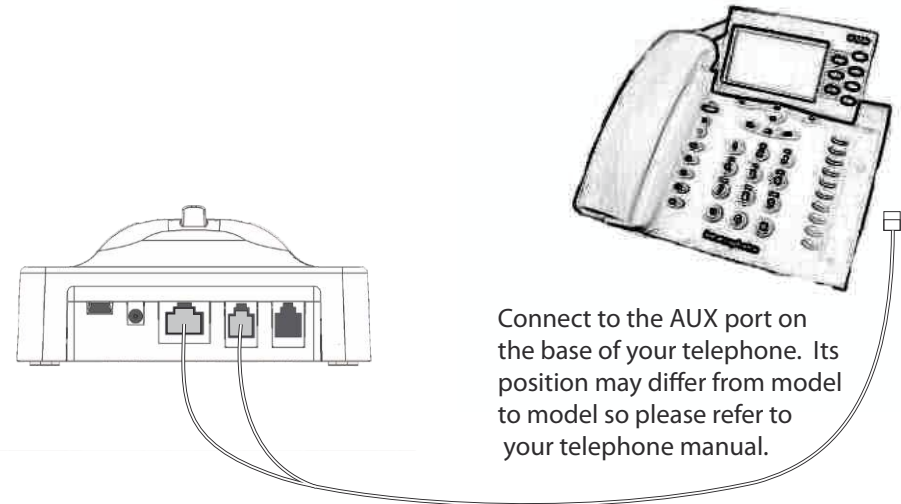


Innovaphone 230  
Innovaphone 240

Step 1. Switch EHS Selection Switch to DHSG Setting



Step 2. Connect IPN- 621 DHSG Cable to the Headset base and telephone



Connect to the AUX port on the base of your telephone. Its position may differ from model to model so please refer to your telephone manual.



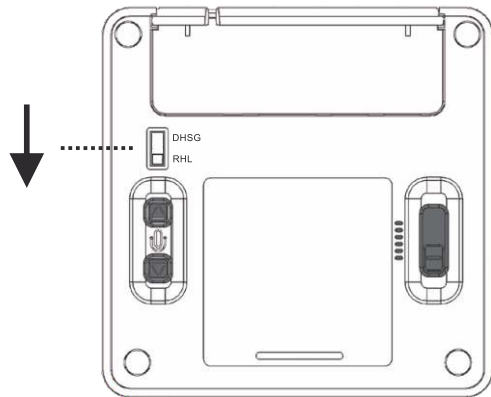


# IPN Headsets - Innovaphone IPN 626

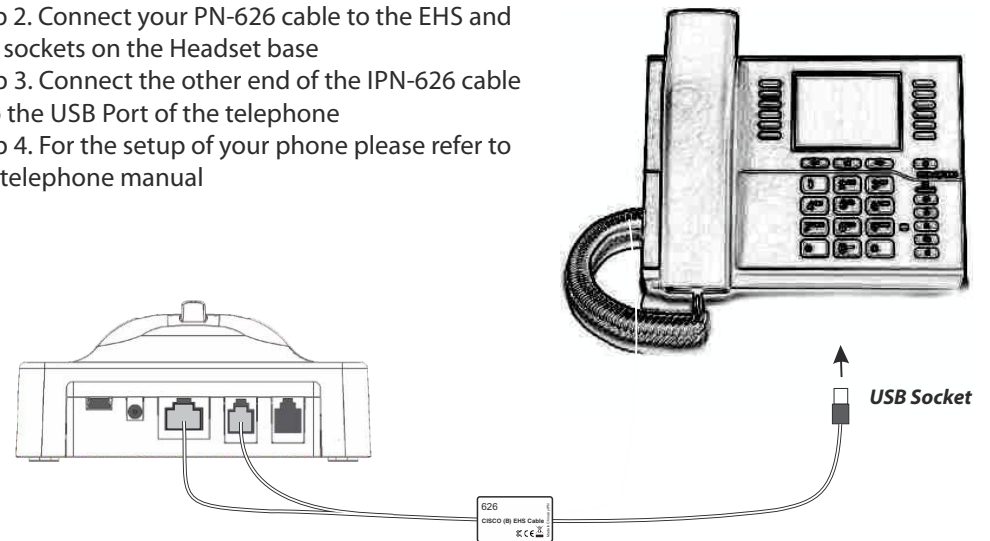


Innovaphone IP112  
Innovaphone IP222  
Innovaphone IP232

Step 1. Switch EHS Selection Switch to RHL Setting



Step 2. Connect your PN-626 cable to the EHS and TEL sockets on the Headset base  
Step 3. Connect the other end of the IPN-626 cable into the USB Port of the telephone  
Step 4. For the setup of your phone please refer to the telephone manual





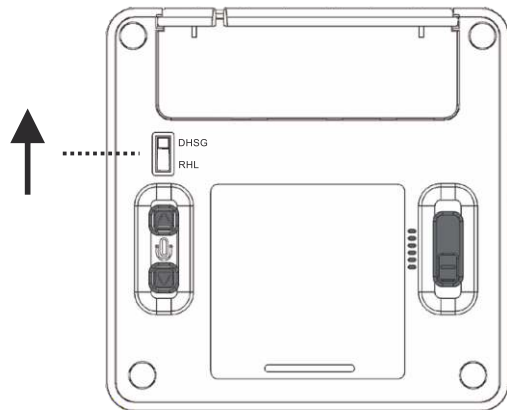
# IPN Headsets - Mitel IPN 621



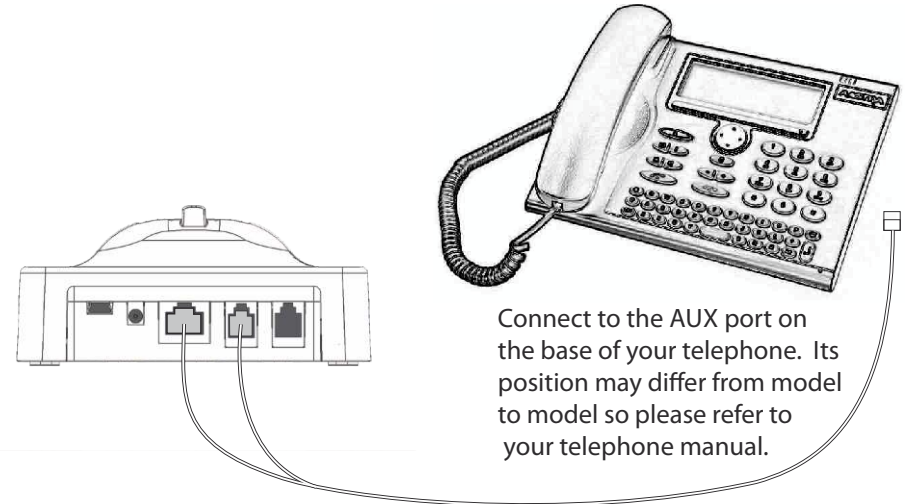
Mitel 5380/5370/5370ip/5380ip  
Mitel 6735i/6737i/6739i  
Mitel 6753i/6755i/6757i/6757i CT  
Mitel 6771/6773/6775/6773ip/6775ip

Mitel 6865i/6867i/6869i  
Mitel 6920ip/6930ip/6940ip  
Mitel 7434ip/7444ip

Step 1. Switch EHS Selection Switch to DHSG Setting



Step 2. Connect IPN- 621 DHSG Cable to the Headset base and telephone



Connect to the AUX port on the base of your telephone. Its position may differ from model to model so please refer to your telephone manual.

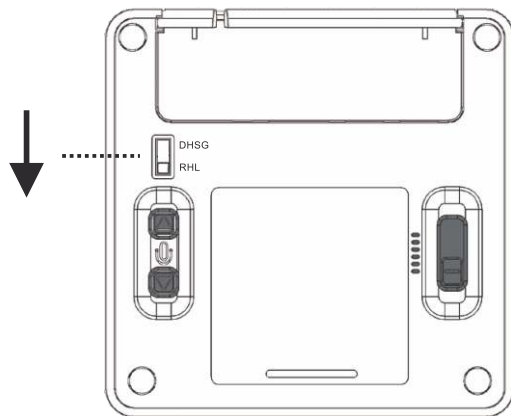


# IPN Headsets - Panasonic IPN 630

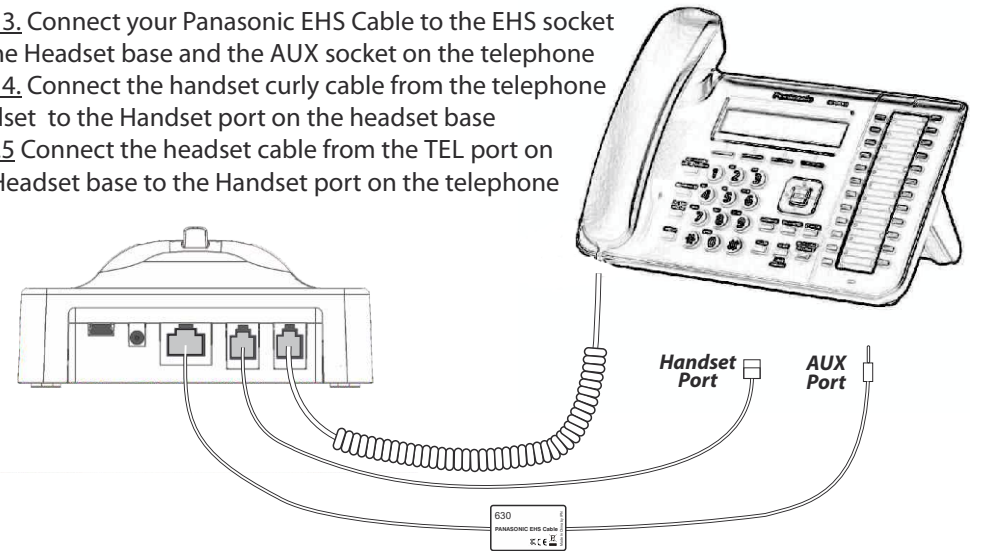


- |          |          |          |
|----------|----------|----------|
| KX-UT133 | KX-NT553 | KX-DT554 |
| KX-UT136 | KX-NT556 |          |
| KX-UT248 | KX-DT543 |          |
| KX-UT670 | KX-DT546 |          |

Step 1. Switch EHS Selection Switch to RHL Setting



Step 3. Connect your Panasonic EHS Cable to the EHS socket on the Headset base and the AUX socket on the telephone  
Step 4. Connect the handset curly cable from the telephone handset to the Handset port on the headset base  
Step 5. Connect the headset cable from the TEL port on the Headset base to the Handset port on the telephone





# IPN Headsets - Polycom IPN 629



Polycom SP Ip320  
 Polycom SP Ip321  
 Polycom SP Ip330  
 Polycom SP Ip331

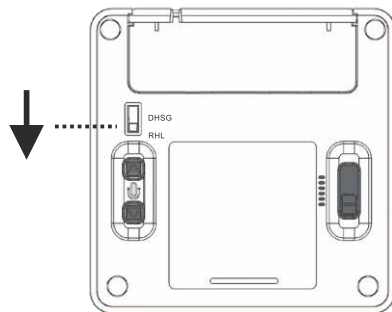
Polycom SP Ip335  
 Polycom SP Ip430  
 Polycom SP Ip450  
 Polycom SP Ip550

Polycom SP Ip560  
 Polycom SP Ip650  
 Polycom SP Ip670  
 Polycom VVX300

Polycom VVX310  
 Polycom VVX400  
 Polycom VVX410  
 Polycom VVX500

Polycom VVX600  
 Polycom VVX1500

Step 1. Switch EHS Selection Switch to RHL Setting

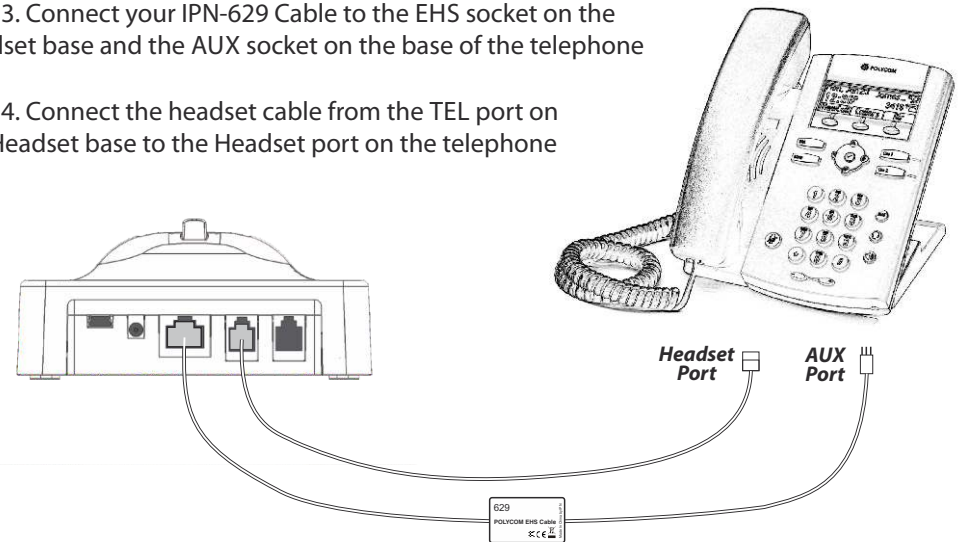


Step 2. Set the Polycom telephone to 'Jabra DHSG' mode. On the telephone:

- Press 'Menu'
- Select: Settings>Basic>Preferences>Headset>Analog Headset

Step 3. Connect your IPN-629 Cable to the EHS socket on the Headset base and the AUX socket on the base of the telephone

Step 4. Connect the headset cable from the TEL port on the Headset base to the Headset port on the telephone





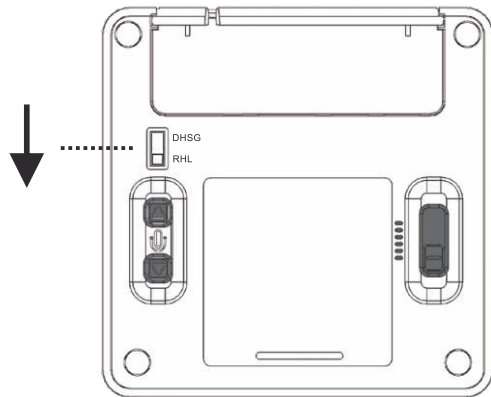
# IPN Headsets - Samsung IPN 626



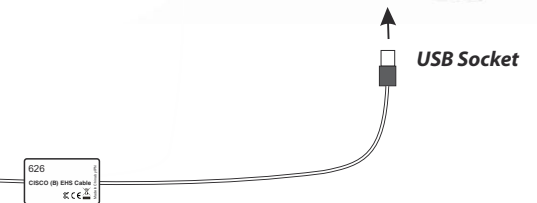
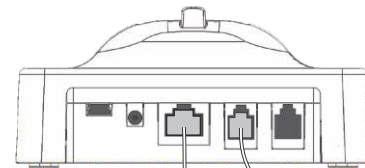
SMT i5343  
SMT i6010  
SMT i6011

SMT i6020  
SMT i6021

Step 1. Switch EHS Selection Switch to RHL Setting



Step 2. Connect your PN-626 cable to the EHS and TEL sockets on the Headset base  
Step 3. Connect the other end of the IPN-626 cable into the USB Port of the telephone  
Step 4. For the setup of your phone please refer to the telephone manual



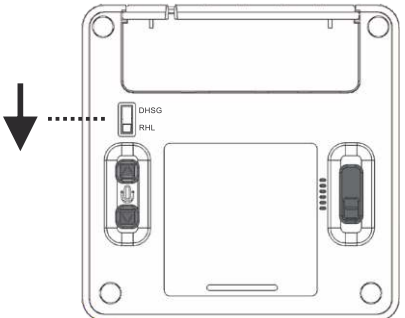


# IPN Headsets - Shoretel IPN 633



- Shoretel IP 212K
- Shoretel IP 265
- Shoretel IP 480/480G
- Shoretel IP 565/565G
- Shoretel IP 230/230G
- Shoretel IP 560/560G

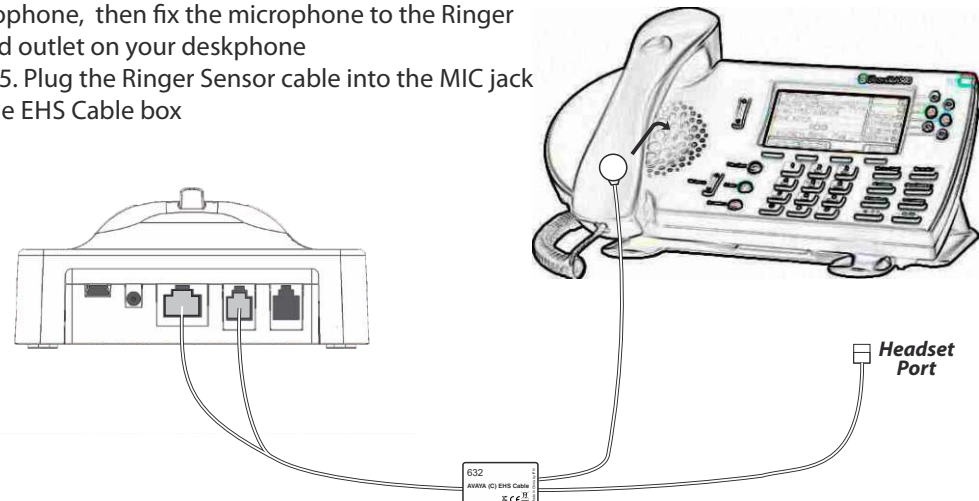
Step 1. Switch EHS Selection Switch to RHL Setting



Step 2. Connect your Avaya IPN-633 cable to the EHS and TEL sockets on the Headset base

Step 4. Remove the white tape off the Ringer Sensor microphone, then fix the microphone to the Ringer sound outlet on your deskphone

Step 5. Plug the Ringer Sensor cable into the MIC jack on the EHS Cable box





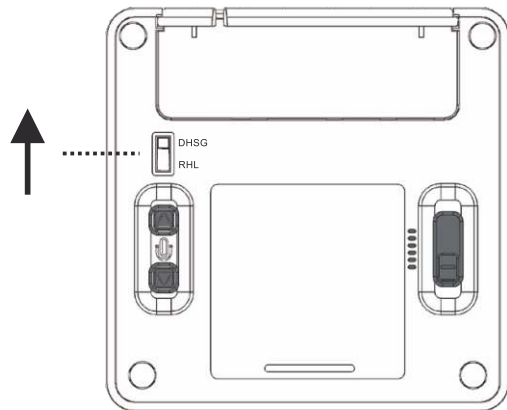
# IPN Headsets - Siemens IPN 621

## SIEMENS /UNIFY

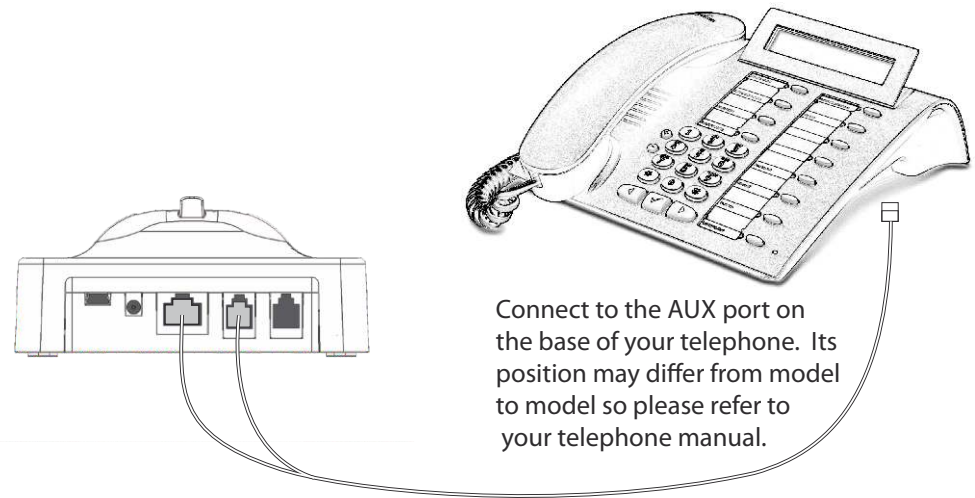
Siemens Openstage 30/40/60/80  
Siemens Optipoint 410 std/adv  
Siemens Optipoint 420 std/adv

Siemens Optipoint 500 std/adv/eco  
Siemens Optipoint 600

Step 1. Switch EHS Selection Switch to DHSG Setting



Step 2. Connect IPN- 621 DHSG Cable to the Headset base and telephone



Connect to the AUX port on the base of your telephone. Its position may differ from model to model so please refer to your telephone manual.

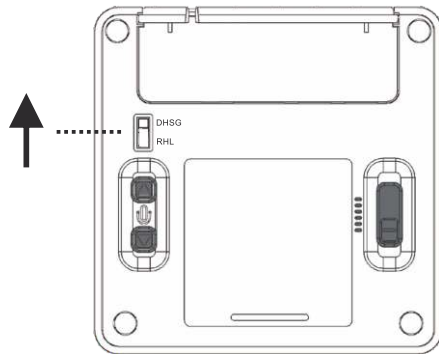


# IPN Headsets - Snom EHS



- |          |          |          |
|----------|----------|----------|
| Snom 300 | Snom 360 | Snom 821 |
| Snom 315 | Snom 370 | Snom 870 |
| Snom 320 | Snom 375 |          |
| Snom 345 | Snom 820 |          |

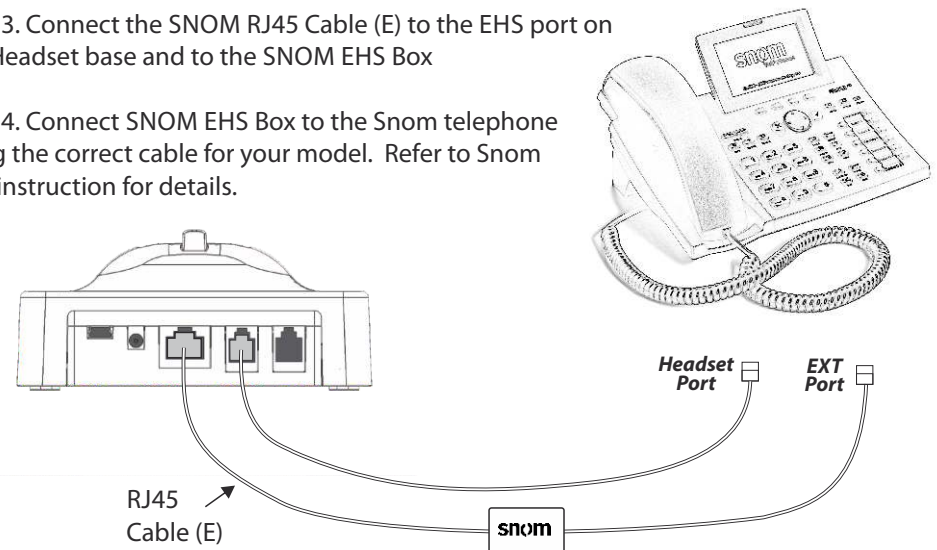
Step 1. Switch EHS Selection Switch to DHSG Setting



Step 2. Connect the headset cable from the TEL port on the Headset base to the Headset port on the telephone

Step 3. Connect the SNOM RJ45 Cable (E) to the EHS port on the Headset base and to the SNOM EHS Box

Step 4. Connect SNOM EHS Box to the Snom telephone using the correct cable for your model. Refer to Snom EHS instruction for details.



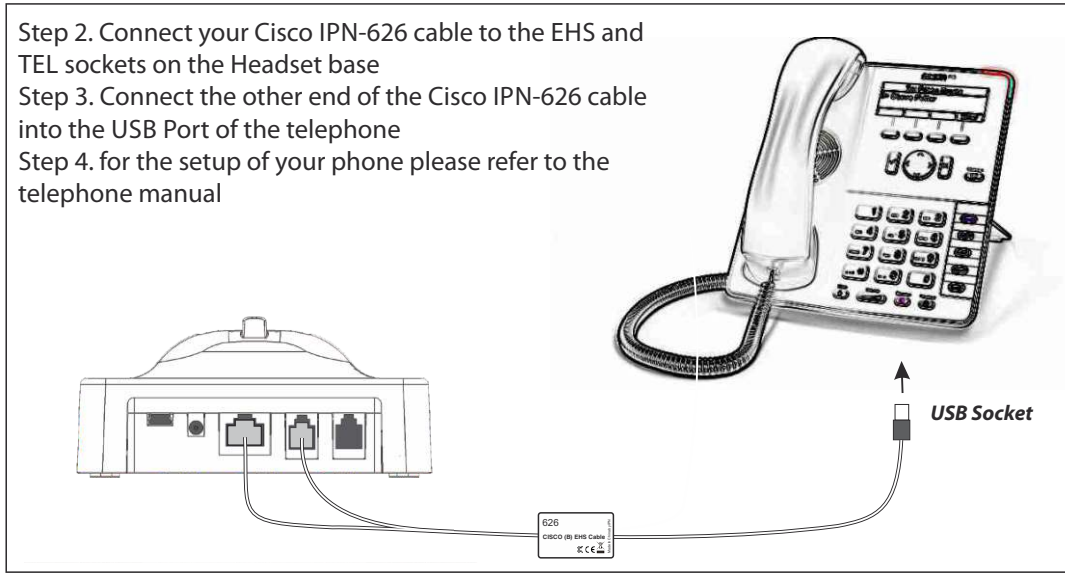
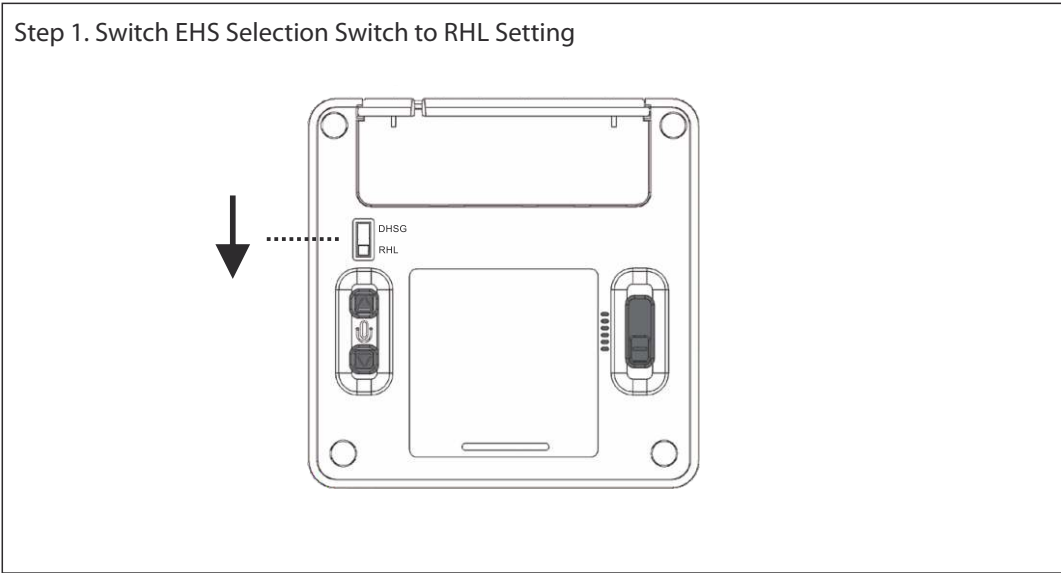




# IPN Headsets - Snom IPN 626



- Snom 715
- Snom 720
- Snom 760
- Snom D715
- Snom D725
- Snom D765





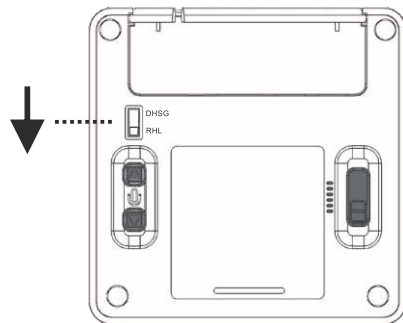
# IPN Headsets - Toshiba IPN 633

## TOSHIBA

Toshiba DKT 2001/2010/2020  
Toshiba IPT 2008/2010/2020  
Toshiba DKT 3007/3010/3014/3020  
Toshiba DP 5008/5018/5022/5032

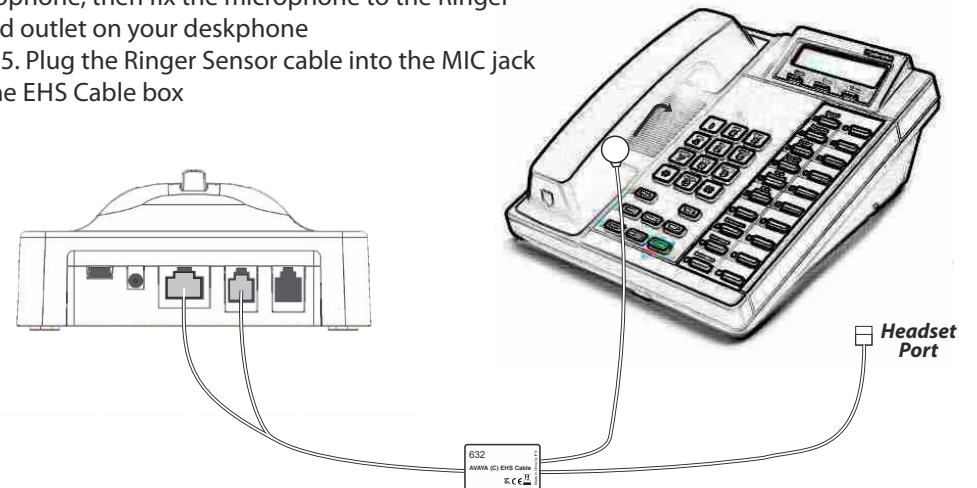
Toshiba DP 5122/5130/5132  
Toshiba IP 5022/5122/5131/5132  
Toshiba IP 5522/5631

Step 1. Switch EHS Selection Switch to RHL Setting



Step 2. Connect your Avaya IPN-633 cable to the EHS and TEL sockets on the Headset base

Step 4. Remove the white tape off the Ringer Sensor microphone, then fix the microphone to the Ringer sound outlet on your deskphone  
Step 5. Plug the Ringer Sensor cable into the MIC jack on the EHS Cable box

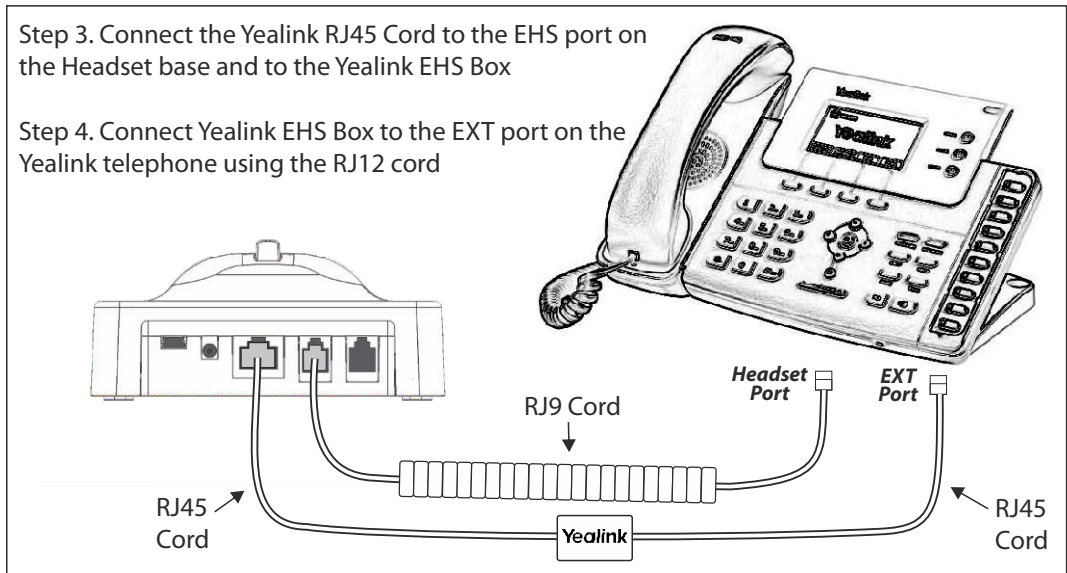
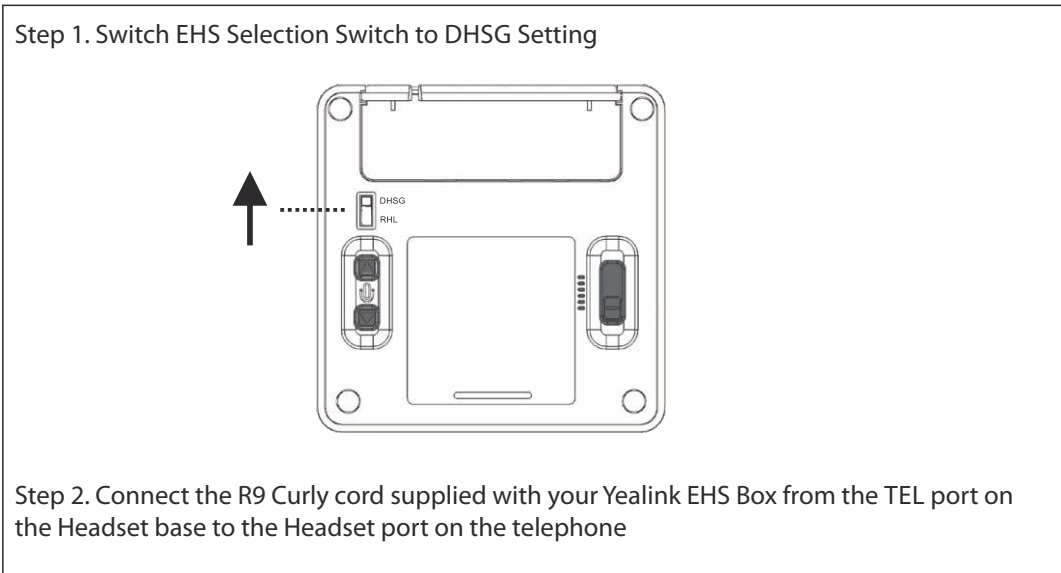




# IPN Headsets - Yealink EHS



- Yealink T26P
- Yealink T27P
- Yealink T28P
- Yealink T28+EXP39
- Yealink T38G SIP
- Yealink T41P
- Yealink T42G
- Yealink T46G
- Yealink T48G





# IPN Headsets - Yealink USB IPN 634

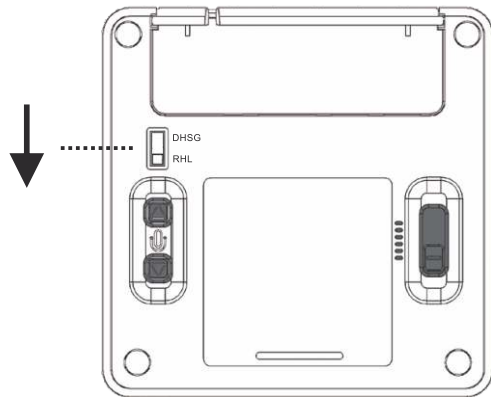
## Yealink

Yealink T41S  
Yealink T42S  
Yealink T46S  
Yealink T48S

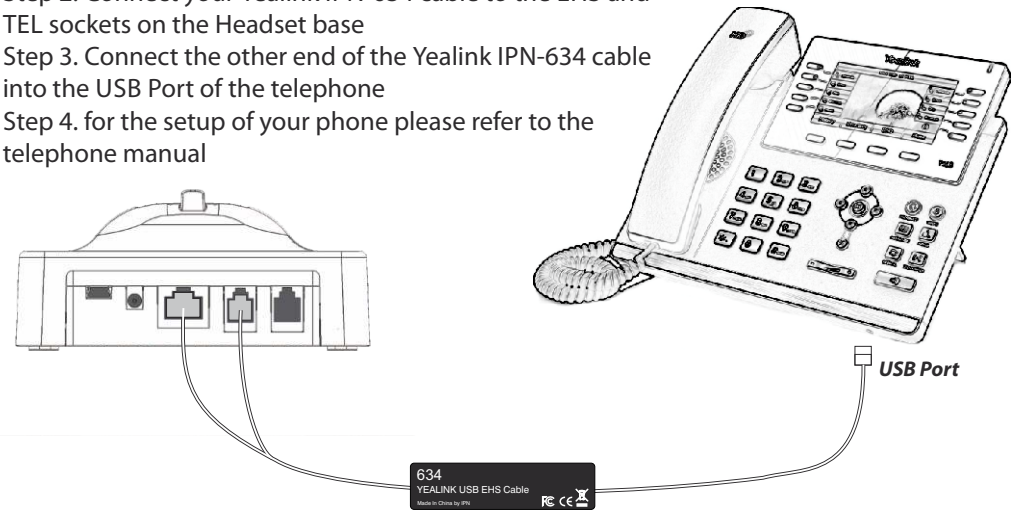
Yealink T53  
Yealink T53W  
Yealink T54W  
Yealink T57W

Yealink T58A

Step 1. Switch EHS Selection Switch to RHL Setting



Step 2. Connect your Yealink IPN-634 cable to the EHS and TEL sockets on the Headset base  
Step 3. Connect the other end of the Yealink IPN-634 cable into the USB Port of the telephone  
Step 4. for the setup of your phone please refer to the telephone manual





### **Regional Oce USA**

1860 Renaissance Boulevard  
Sturtevant, WI 53177  
United States of America  
T. +1 (262) 99 74 391

### **Head Oce and EMEA**

Bijsterhuizen 24-14  
6604 LL Wijchen  
The Netherlands  
T. +31 (0)24 744 04 44

### **Regional Oce APAC**

9A Hing Yip Factory Building,  
31 Hing Yip Street,  
Kwun Tong  
Hong Kong

